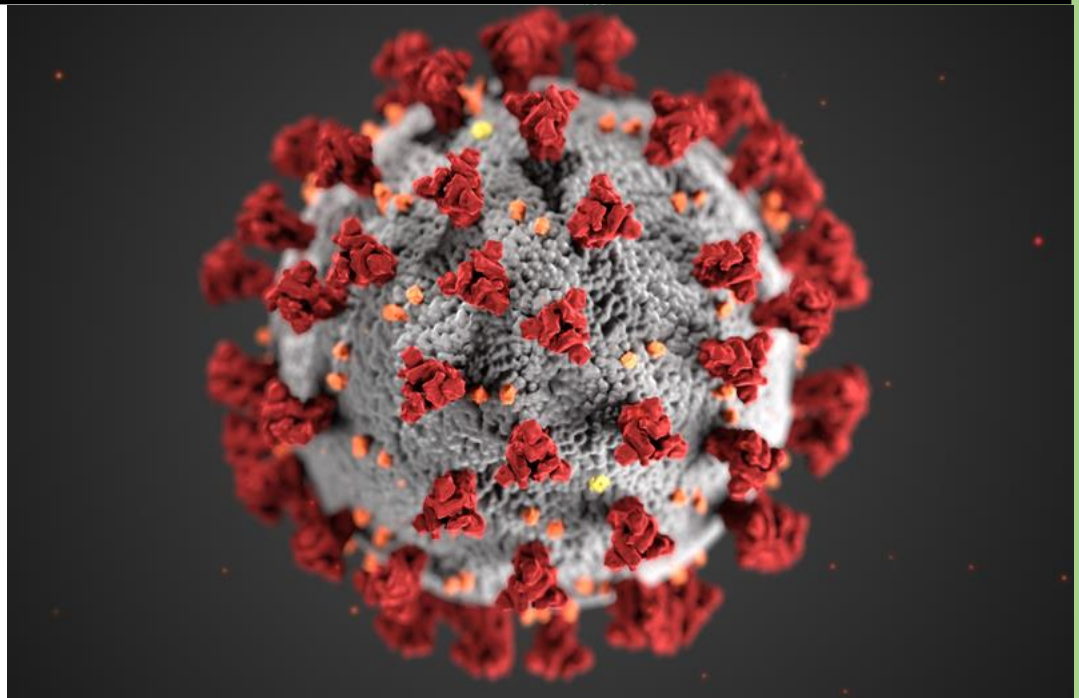


2020

Oxygen Driven Ventilator



Vermont Prototype, LLC
156 acorn lane suite 109
Colchester, VT 05446

OVERVIEW

As part of the global response to Covid-19 Vermont Prototype, an established precision engineering firm, has leveraged one of new England's best resources: light industrial expertise to quickly address the ventilator deficit.

A cost-effective device has been created to manage tidal volume and breathing rate of individuals experiencing respiratory failure. The device only requires a compressed O2 source of 15L/min to operate and allows trained medical professionals to simultaneously provide care to an entire group in the event conventional resources are saturated.

FEATURES

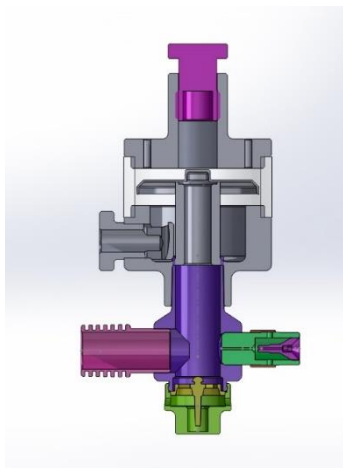
- 40CM/H2O pop off valve for over pressure protection
- Clear window for viewing operation
- Industry standard 15/22 tapered connection
- Check valve allows for involuntary inhalation
- Filter compatibility to prevent aerosolized droplets
- Adjustable tidal volume
- Adjustable respiratory rate
- O2 concentration 50-100%
- NO ELECTRONIC COMPONENTS

NOTES

- Manufactured in Vermont with certified FDA approved materials
- Proven manufacturing process plan and domestic supply chain
- Professionally maintained technical data package
- Now Inventoried at select hospitals
- Medical references available upon request
- Offered to qualified medical end users in a limited liability capacity
- Manufactured to order. Please submit RFQ for current lead time.



Available in 100 unit cases



Precision Engineering



Easy to Use

